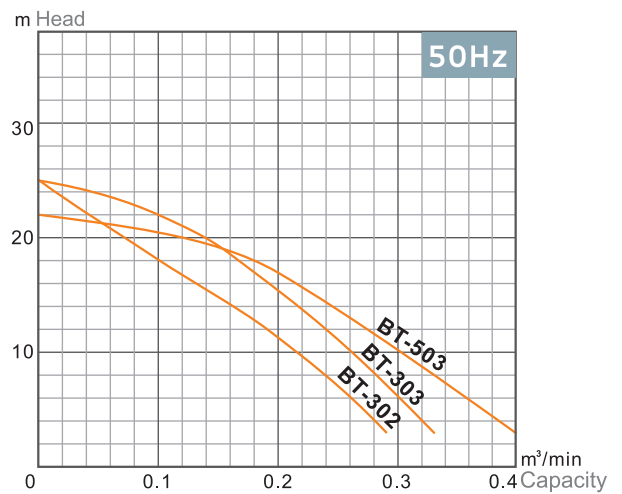
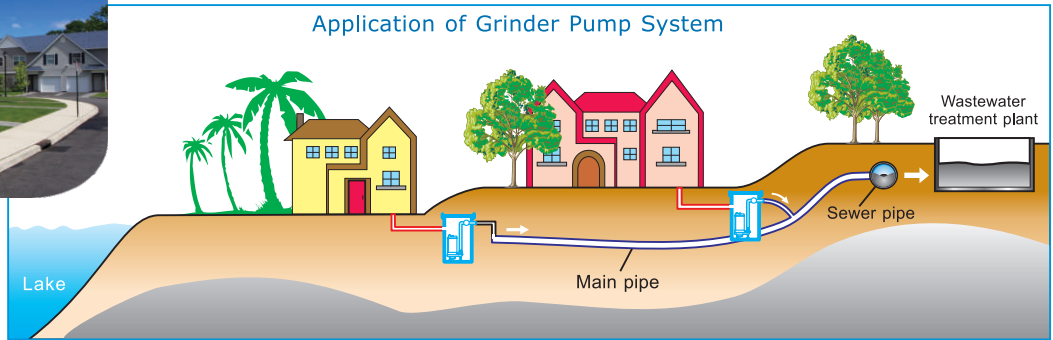




APPLICATIONS

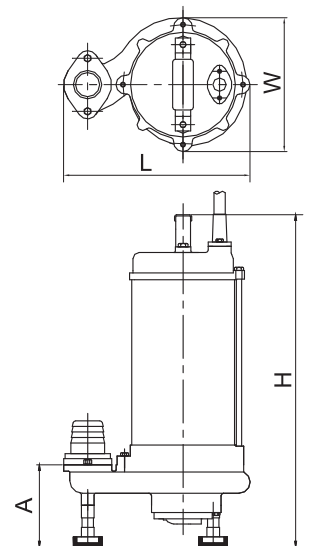
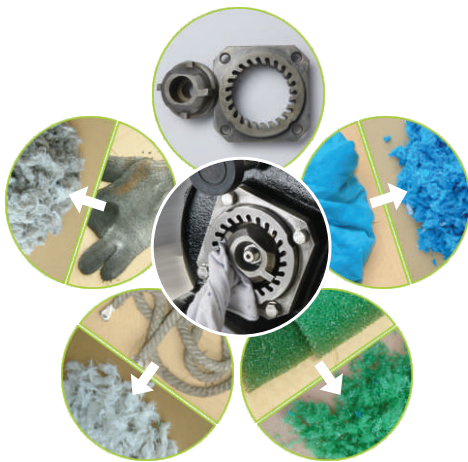
Pumping of residential wastewater from toilets, bathtubs, and washing machines; drainage of subway/tunnel, wastewater treatment of public laundry, textile industries and other industries.



FEATURES

1. Grinding and shredding effects are applied to raise operating efficiency and able to handle soft solids in suspension or organic wastes in water.
2. Portable, non-clogging design and high wear-resistance are applied to grinding ring and shredding ring.
3. Dependable mechanical seal and o-ring are adopted to maintain long time operation and high precision is applied to raise stability and efficiency of motors.
4. Inner cable wires and cable base are upgraded by filling EPOXY to raise humidity-resistance.
5. Motor frame, shaft, screws are made of stainless steel to make long service life.

● Float switch is available for model 2Hp.



SPECIFICATIONS

2P-3000RPM

Model	Power Hp(kW)	Discharge inch	Phase ϕ	Standards		Length mm	Width mm	Height mm	Weight kg
				Head m	Capacity m ³ /min				
BT-302	2 (1.5)	1 1/4"	1 ϕ / 3 ϕ	18	0.1	300	210	560/470	45/35
BT-303	3 (2.2)	1 1/4"	3 ϕ	22	0.1	300	210	520	37
BT-503	3 (2.2)	2"	3 ϕ	17	0.2	300	210	520	38